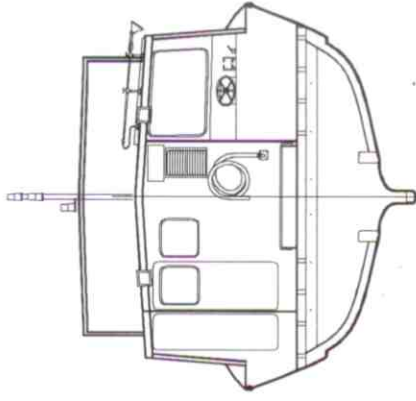
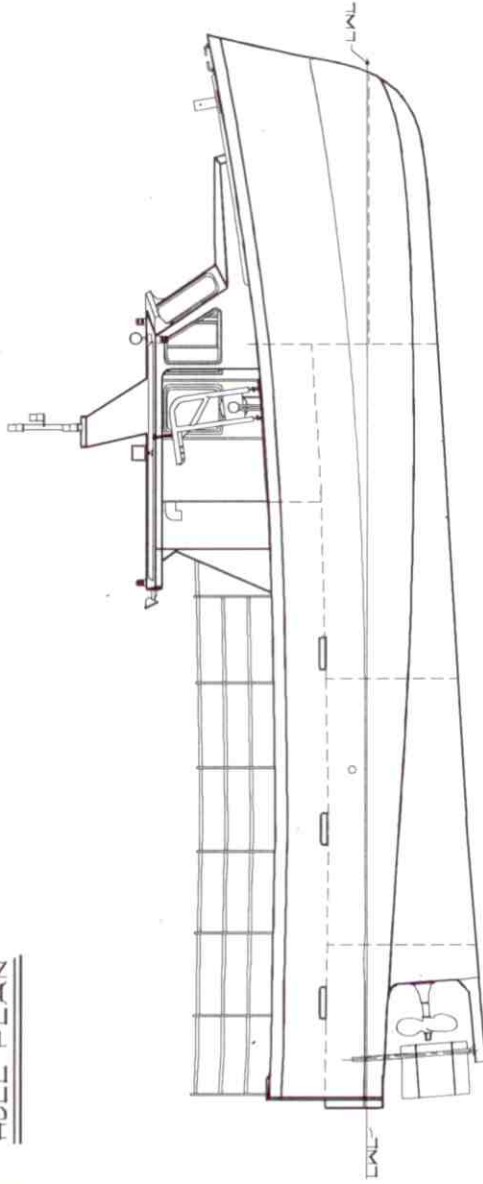


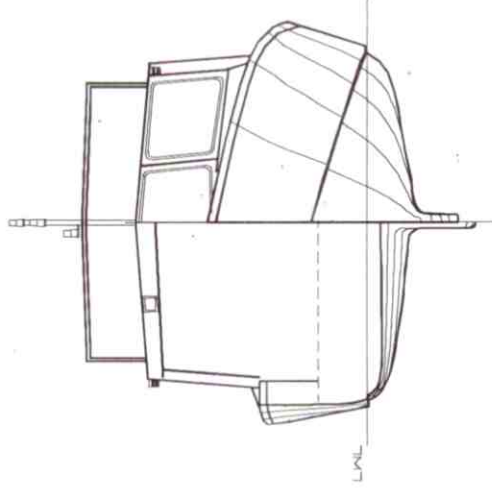
HULL PLAN



WHEELHOUSE SECTION



HULL PROFILE



BOW/STERN

ANY DIFFERENCE BETWEEN DRAWINGS AND QUOTE WILL BE
OVERRULED BY QUOTE UNLESS CHANGE ORDER ISSUED

DRAWN C.C.	BUILT FOR DIXON 45 SEMI-PLANNING	FILE NO. 4507
APPROVED S/SO/AT	DIXON 45 SEMI-PLANNING AMERICAN STYLE PLEASURE BOAT	FILE NO. 4507
DATE 1/4 = 1-0	SHIPYARD LITTLE ROCK, ARKANSAS 72110	FILE NO. 4507