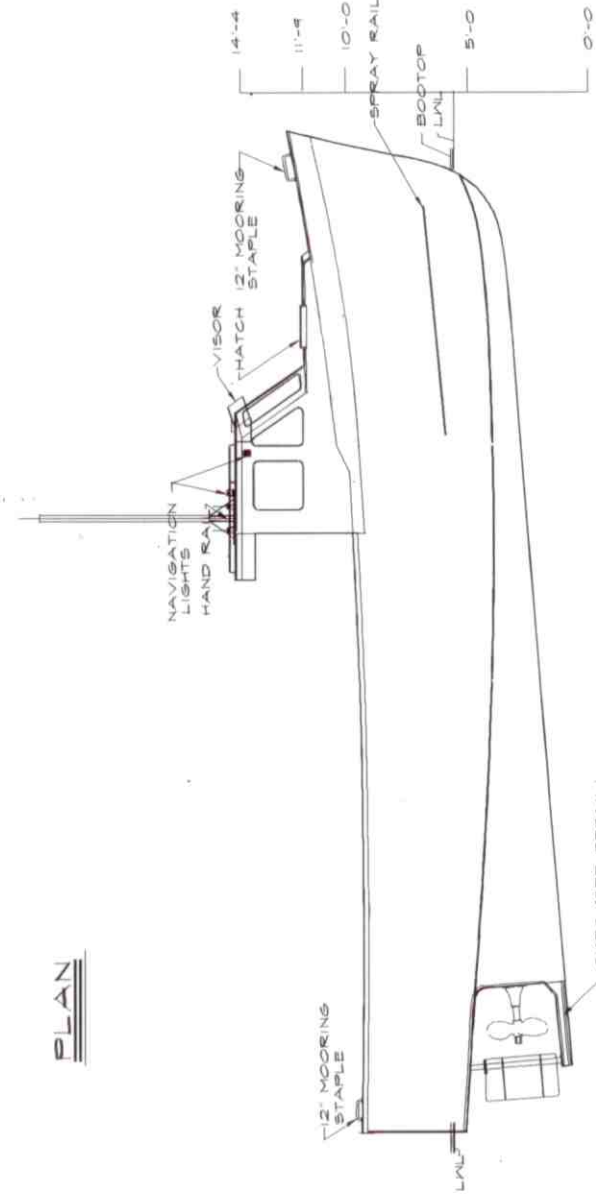
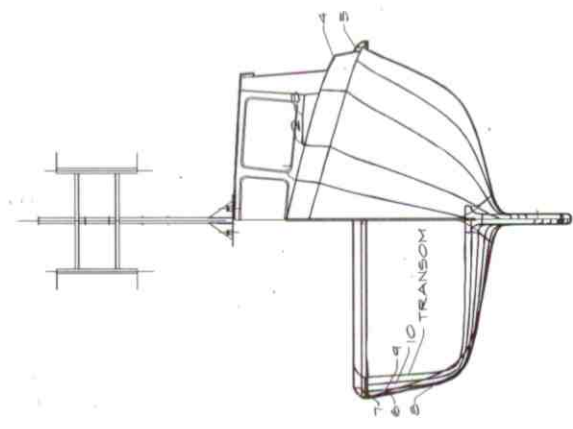


PLAN



PROFILE



BOW/STERN

DESIGN	BIG	BLK. FOR	STANDARD DIXON 42	FILE NO.	4200
APPROVED			STD SETUP PLAN	SCALE	1/8"
DATE	10-18-85		PROJECT	PROFILE, BOW, STERN	00
DESIGNED BY					
			4200-01-RO		

DIXON'S SHIPYARD
 AREA WOODS AVENUE #4
 11111