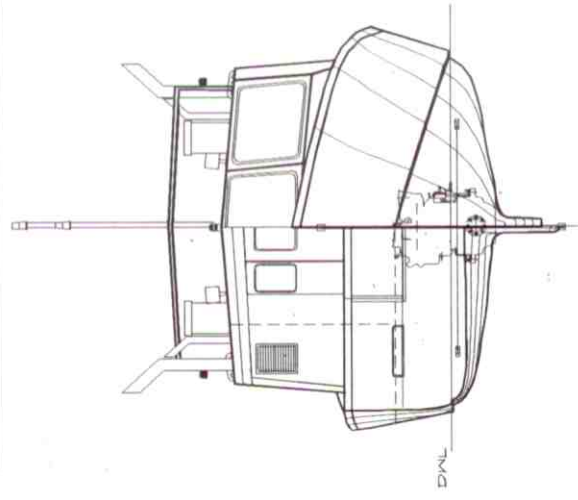
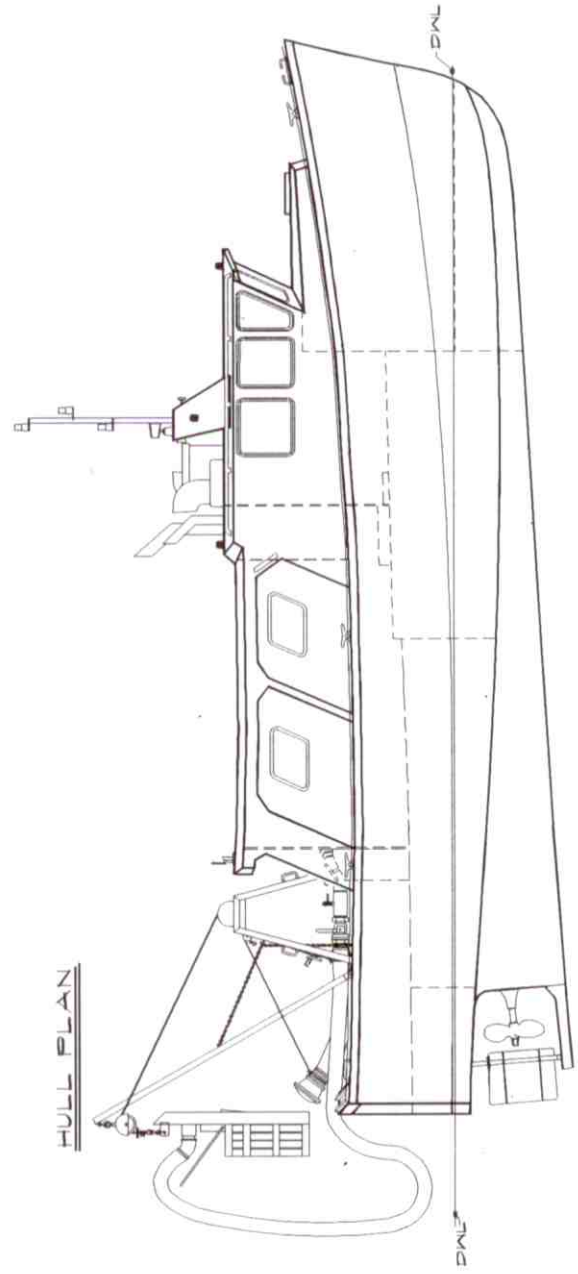
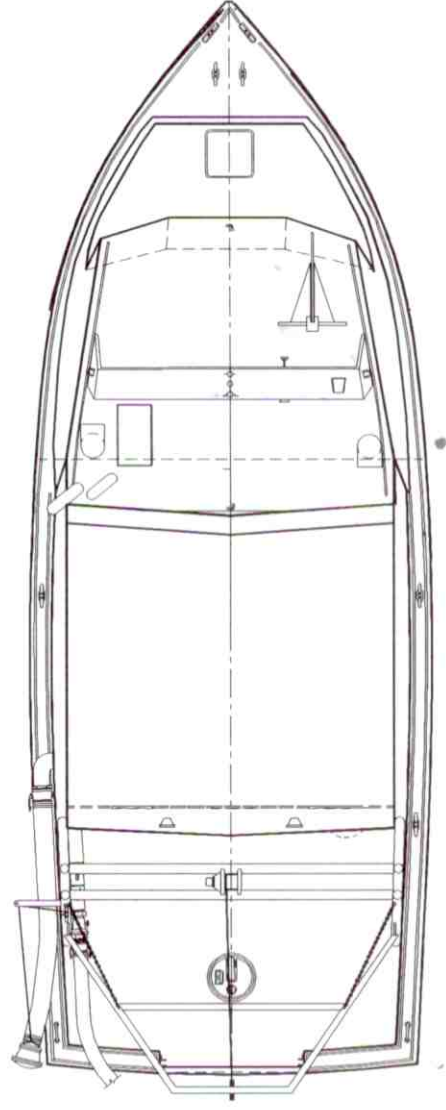


WHEELHOUSE SECTION




BOW/STERN



HULL PLAN

HULL PROFILE

NOTE: THIS DRAWING IS A PRODUCTION GUIDE. ANY DIFFERENCE BETWEEN IT AND OWNER'S QUOTATION WILL BE COVERED BY THE QUOTATION.

DATE 1/10/17	FILE NO DX4504
BY 1/4/17	REV. NO 04
	
DIXON'S SHIPYARD BUILDING BOATS FOR THE FUTURE	
QUOTE FOR DIXON 45 SEAMANS CLAMMING BOAT	
DX4504	