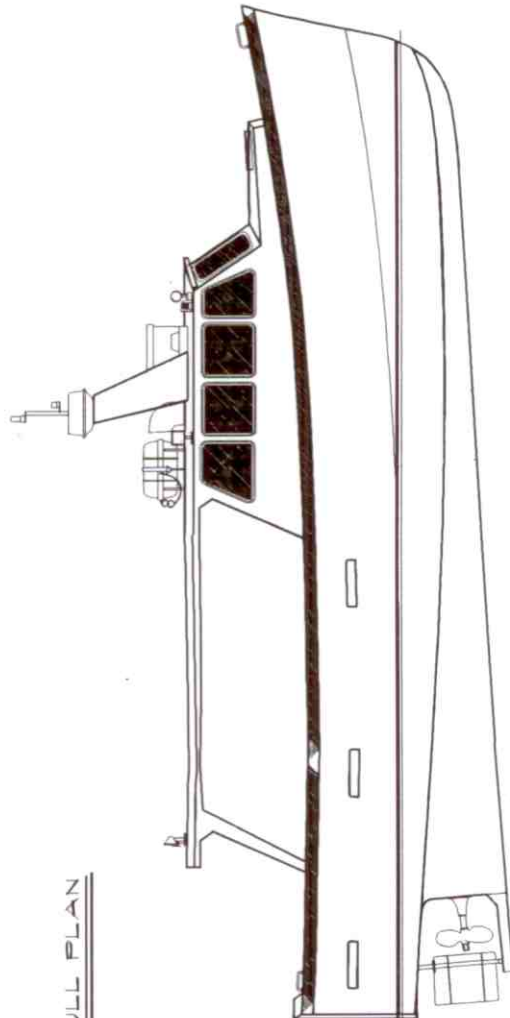
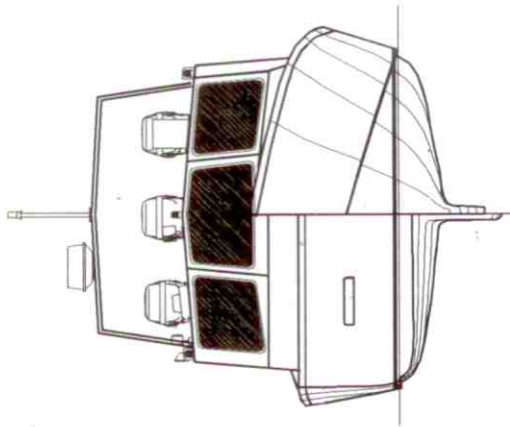


HULL PLAN



HULL PROFILE



BOW/STERN

 DIXON'S SHIPYARD <small>LOCAL WOOD PRODUCTS BY</small>	PLAN: B5 DATE: 4/7/96 SCALE: 1" = 4'	FILE NO: DIXON 45 PROPOSAL PROJECT: MANHATTAN BAY CRUISER DRAWING NO: 4500	PROJECT NO: 4500NN-PROP
---	---	--	-----------------------------------