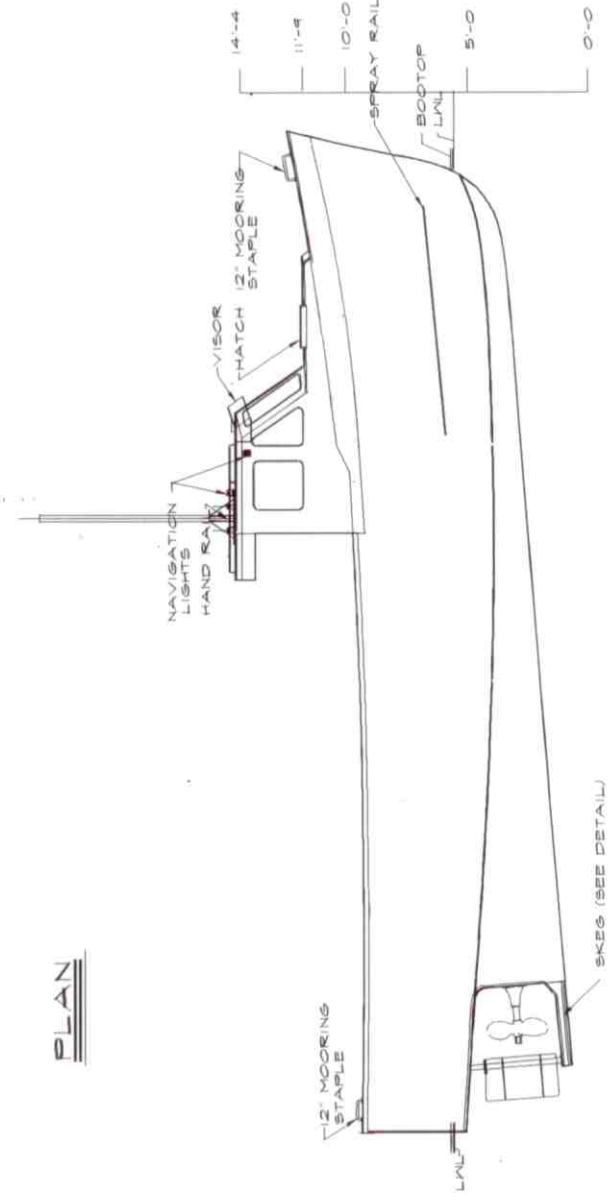
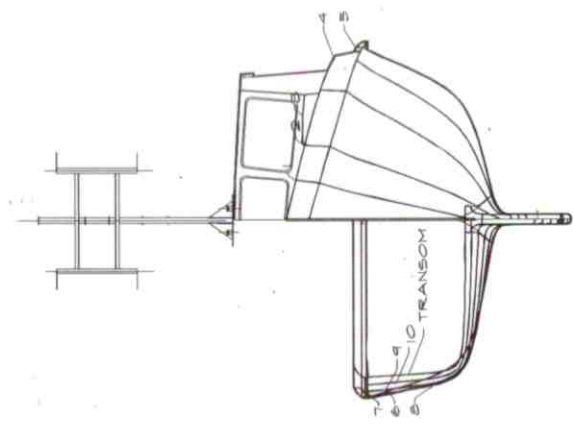



PLAN



PROFILE



BOW/STERN

DESIGN	BIG	BLK. FOR	STANDARD DIXON 42	FILE NO.	4200
APPROVED			STD SETUP PLAN	SCALE	1/8"
DATE	10-18-85		PROJECT	PROFILE, BOW, STERN	00
DESIGNED BY					
			ORDER NO.	4200-01-RO	
 DIXON'S SHIPYARD <small>AMERICA'S BOATBUILDER</small>					